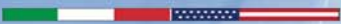


Ralco

X-RAY COLLIMATORS



Value, Quality and Experience



R 104

Single layer, square field, manual collimation system with a lightweight and compact design intended for installation on mobile X-ray equipment. This device has been designed and manufactured for skeletal investigations and ER applications.

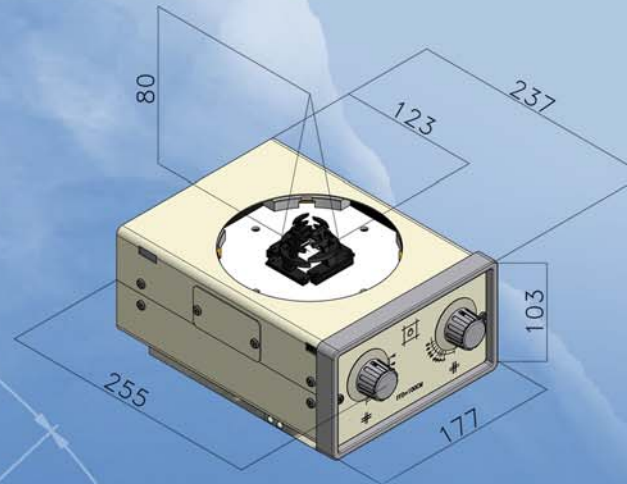
This model includes the following standard features:

- Maximum Radiation Leakage: 125 kVp - 4 mA
- Single Layer Square Field: 0x0 cm to 43x43 cm at 100 cm SID
- Minimum Inherent Filtration: 2 mm Al equivalent
- Halogen Lamp (White LED on request)
- Dimensions: 255x177x103 mm
- Weight: 4.6 Kg
- 2 Pairs of Shutters
- Many Options for Personalization Available

R 104

TECHNICAL FEATURES

✓ Standard	● Optional	— Not Available	
Maximum Radiation Leakage	125 kVp - 4 mA	✓	
	150 kVp - 4 mA	—	
Field Type	Square Field	With Potentiometer	—
		Without Potentiometer	✓
	Round Field	—	
Additional Variable Filtration	Manual	—	
	Motorized	—	
Light Source	Halogen Lamp	✓	
	LED	●(RO 333)	
	No Light	—	
SID Measurement	Electronic	—	
	Retractable Tape Measure	●(RO 012/B)	
Image Receptor Alignment	Centering Light	—	
	Single Laser	—	
	Double Laser	—	
Mounting of DAP Chamber	Internal	—	
	External	—	
Flange	Plastic	Free Rotation	●(RO 318)
		50°	●(RO 441)
		90°	●(RO 442)
		120°	—
	Metal	Fixed	●(RO 001/A)
		Rotating (90° stop)	●(RO 051)
Minimum Inherent Filtration	0.3 mm Al equivalent	●(RO 041)	
	1 mm Al equivalent	●(RO 082)	
	2 mm Al equivalent	✓	
Patient Monitoring Camera	Yes	—	
	No	✓	
cCSAUs and DHHS Certification	Yes	—	
	No	✓	
Alignment to Focus	Manual Alignment with Metal Flange	✓	
	Automatic Centering with Metal Flange	—	
	Automatic Centering with Plastic Flange	●(RO 318)	
	Siemens Attachment	—	
Proximity Sensor	Yes	—	
	No	✓	
User Interface	CAN-Bus Interface	—	
	CAN-Open Interface	—	
	Analog/Digital I/O Interface	—	



Head Office
 via Dei Tigli 13G
 20853 BIASSONO (MB)
 ITALY
 Tel. 0039 039 24 979 25
 FAX 0039 039 24 977 99
 Email: ralco@ralco.it
www.ralco.it
 Skype: [ralco_s.r.l.](https://www.skype.com/partners/ralco_s.r.l)

American Office
 4970 Robert J. Mathews Pkwy #180
 El Dorado Hills, CA 95762
 USA
 Tel. 001.916.990.5172
 Email: info@ralcousa.com
www.ralcousa.com
 Skype: [ralcousa](https://www.skype.com/partners/ralcousa)

CUSTOM MODELS ON REQUEST