

# Ralco

X-RAY COLLIMATORS



## Value, Quality and Experience



## R 108 F

**Multilayer, square field, manual collimation system with a lightweight, compact design intended for installation on mobile X-ray equipment. This device has been designed and manufactured for skeletal investigations and ER applications.**

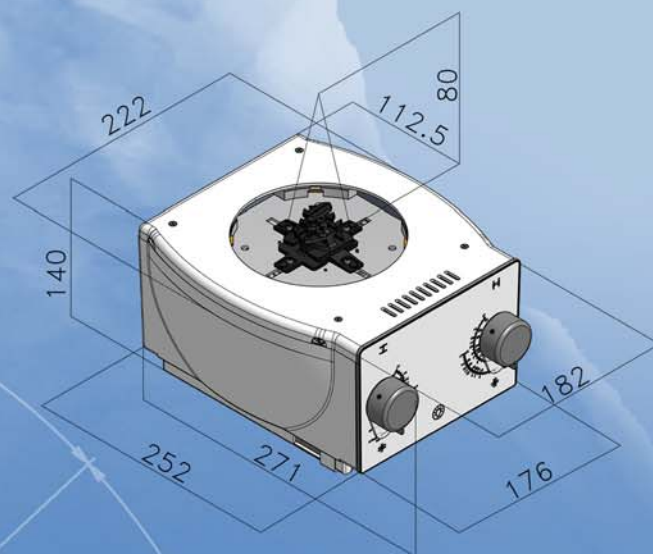
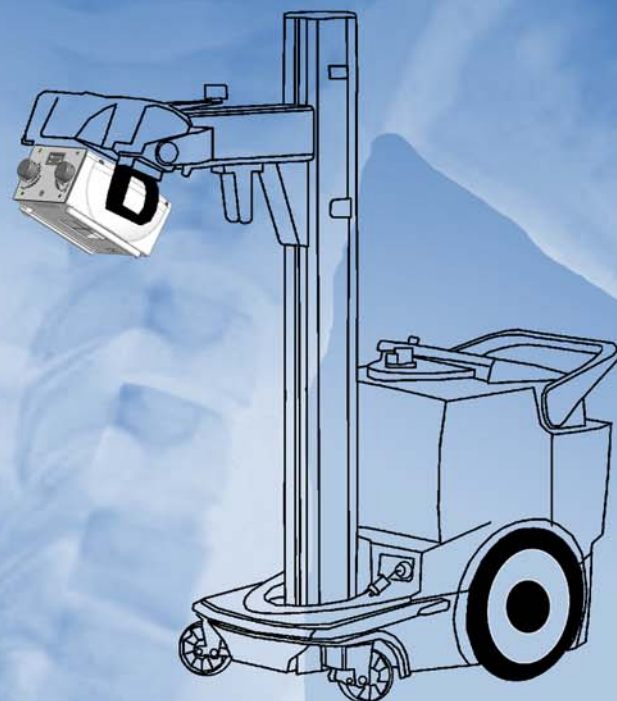
**This model includes the following standard features:**

- Maximum Radiation Leakage: 150 kVp - 4 mA
- Multilayer Square Field: 0x0 cm to 48x48 cm at 100 cm SID
- Minimum Inherent Filtration: 2 mm Al equivalent
- Manual Variable Filtration Selection (on request)
- White LED
- Dimensions: 271x222x140 mm
- Weight: 6.6 Kg
- 6 Pairs of Shutters
- Many Options for Personalization Available

# R 108 F

## TECHNICAL FEATURES

✓ Standard	● Optional	— Not Available	
Maximum Radiation Leakage	125 kVp - 4 mA	—	
	150 kVp - 4 mA	✓	
Field Type	Square Field	With Potentiometer	—
		Without Potentiometer	✓
	Round Field	—	
Additional Variable Filtration	Manual	●(RO 258, 258/1)	
	Motorized	—	
Light Source	Halogen Lamp	—	
	LED	✓	
	No Light	—	
SID Measurement	Electronic	—	
	Retractable Tape Measure	✓	
Image Receptor Alignment	Centering Light	—	
	Single Laser	●(RO 242/1)	
	Double Laser	●(RO 339)	
Mounting of DAP Chamber	Internal	—	
	External	●(RO 344)	
Flange	Plastic	Free Rotation	✓
		50°	●(RO 441)
		90°	●(RO 369/442)
		120°	●(RO 370)
	Metal	Fixed	—
		Rotating (90° stop)	—
Minimum Inherent Filtration	0.3 mm Al equivalent	●(RO 041)	
	1 mm Al equivalent	●(RO 082)	
	2 mm Al equivalent	✓	
Patient Monitoring Camera	Yes	—	
	No	✓	
cCSAUs and DHHS Certification	Yes	●	
	No	✓	
Alignment to Focus	Manual Alignment with Metal Flange	—	
	Automatic Centering with Metal Flange	—	
	Automatic Centering with Plastic Flange	●(RO 318)	
	Siemens Attachment	—	
Proximity Sensor	Yes	—	
	No	✓	
User Interface	CAN-Bus Interface	—	
	CAN-Open Interface	—	
	Analog/Digital I/O Interface	—	



**Head Office**  
 via Dei Tigli 13G  
 20853 BIASSONO (MB)  
 ITALY  
 Tel. 0039 039 24 979 25  
 FAX 0039 039 24 977 99  
 Email: [ralco@ralco.it](mailto:ralco@ralco.it)  
[www.ralco.it](http://www.ralco.it)  
 Skype: [ralco\\_s.r.l.](https://www.skype.com/en/contacts/business/italy/ralco_s.r.l)

**American Office**  
 4970 Robert J. Mathews Pkwy #180  
 El Dorado Hills, CA 95762  
 USA  
 Tel. 001.916.990.5172  
 Email: [info@ralcousa.com](mailto:info@ralcousa.com)  
[www.ralcousa.com](http://www.ralcousa.com)  
 Skype: [ralcousa](https://www.skype.com/en/contacts/business/usa/ralcousa)

**CUSTOM MODELS ON REQUEST**