

Ralco

X-RAY COLLIMATORS



Value, Quality and Experience



R 108

Multilayer, square field, manual collimation system with a lightweight, compact design intended for installation on mobile X-ray equipment. This device has been designed and manufactured for skeletal investigations and ER applications.

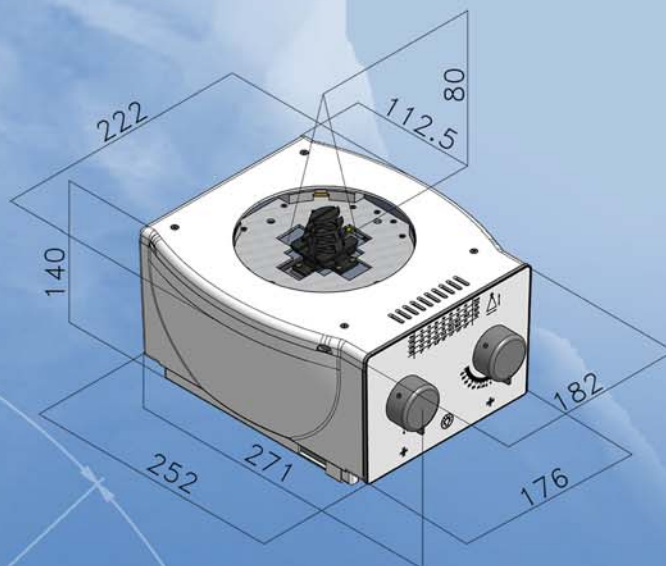
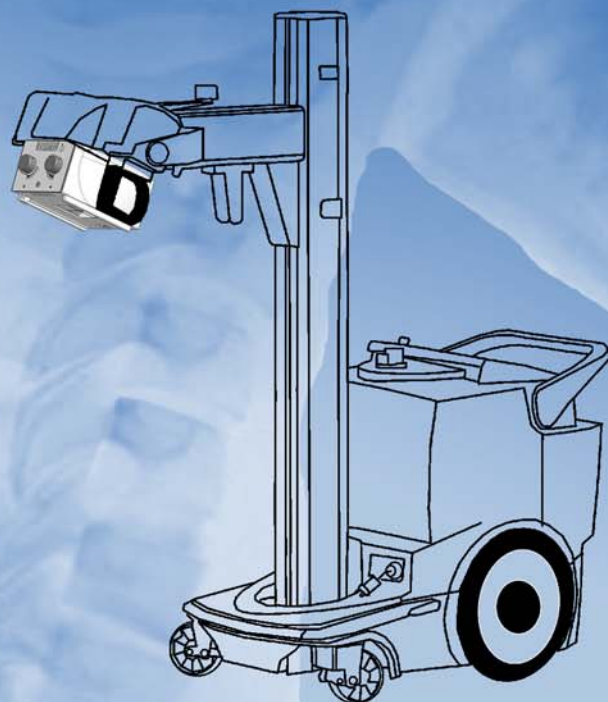
This model includes the following standard features:

- Maximum Radiation Leakage: 150 kVp - 4 mA
- Multilayer Square Field: 0x0 cm to 43x43 cm at 100 cm SID
- Minimum Inherent Filtration: 2 mm Al equivalent
- Halogen Lamp (White LED on request)
- Dimensions: 271x222x140 mm
- Weight: 5.5 Kg
- 6 Pairs of Shutters
- Many Options for Personalization Available

R 108

TECHNICAL FEATURES

✓ Standard	● Optional	— Not Available
Maximum Radiation Leakage	125 kVp - 4 mA	—
	150 kVp - 4 mA	✓
Field Type	Square Field	With Potentiometer ●(RO 356)
		Without Potentiometer ✓
	Round Field	—
Additional Variable Filtration	Manual	—
	Motorized	—
Light Source	Halogen Lamp	✓
	LED	●(RO 333)
	No Light	—
SID Measurement	Electronic	—
	Retractable Tape Measure	✓
Image Receptor Alignment	Centering Light	—
	Single Laser	●(RO 242/1)
	Double Laser	●(RO 339)
Mounting of DAP Chamber	Internal	—
	External	●(RO 344)
Flange	Plastic	Free Rotation ●(RO 318)
		50° ●(RO 441)
		90° ●(RO 369/442)
		120° ●(RO 370)
	Metal	Fixed ●(RO 001/A)
		Rotating (90° stop) ●(RO 051)
Minimum Inherent Filtration	0.3 mm Al equivalent ●(RO 041)	
	1 mm Al equivalent ●(RO 082)	
	2 mm Al equivalent ✓	
Patient Monitoring Camera	Yes	—
	No	✓
cCSAUs and DHHS Certification	Yes	●
	No	✓
Alignment to Focus	Manual Alignment with Metal Flange ✓	
	Automatic Centering with Metal Flange ●(RO 202)	
	Automatic Centering with Plastic Flange ●(RO 318)	
	Siemens Attachment	—
Proximity Sensor	Yes	—
	No	✓
User Interface	CAN-Bus Interface	—
	CAN-Open Interface	—
	Analog/Digital I/O Interface	—



Head Office
 via Dei Tigli 13G
 20853 BIASSONO (MB)
 ITALY
 Tel. 0039 039 24 979 25
 FAX 0039 039 24 977 99
 Email: ralco@ralco.it
www.ralco.it
 Skype: ralco_s.r.l.

American Office
 4970 Robert J. Mathews Pkwy #180
 El Dorado Hills, CA 95762
 USA
 Tel. 001.916.990.5172
 Email: info@ralcousa.com
www.ralcousa.com
 Skype: ralcousa

CUSTOM MODELS ON REQUEST