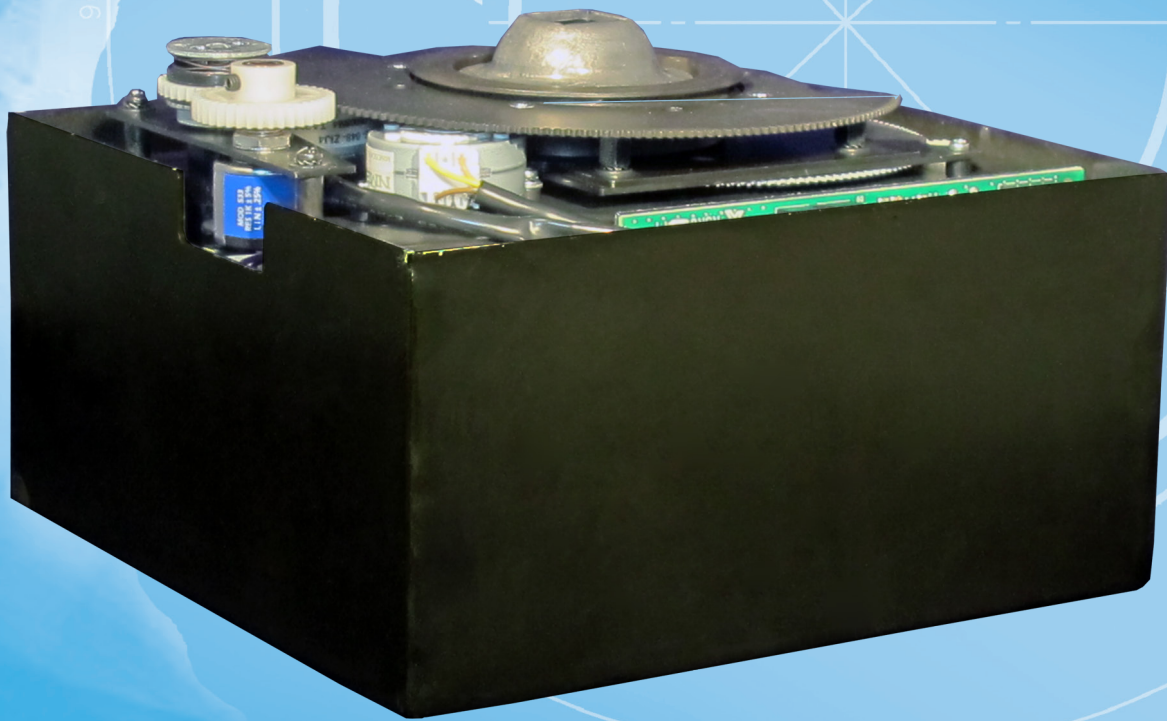


# Ralco

X-RAY COLLIMATORS



**Value, Quality and Experience**



## R 650 QDASM

**Single layer, square field, automatic collimation system intended for installation on stationary or mobile C-arm equipment in connection with a digital image receptor. This device has been designed and manufactured for skeletal and cardiovascular investigations.**

This model includes the following standard features:

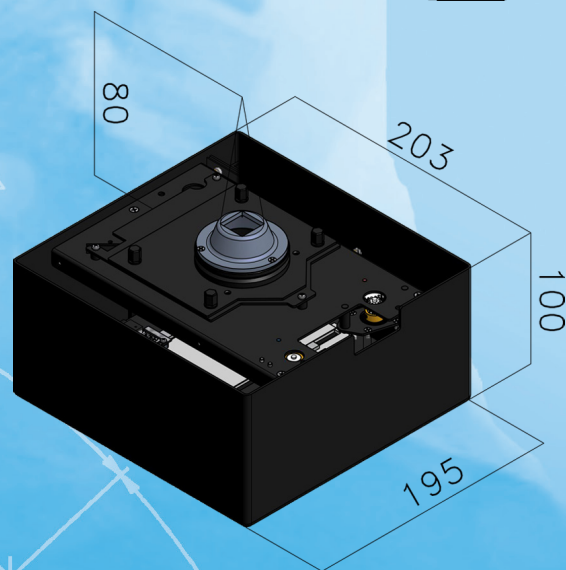
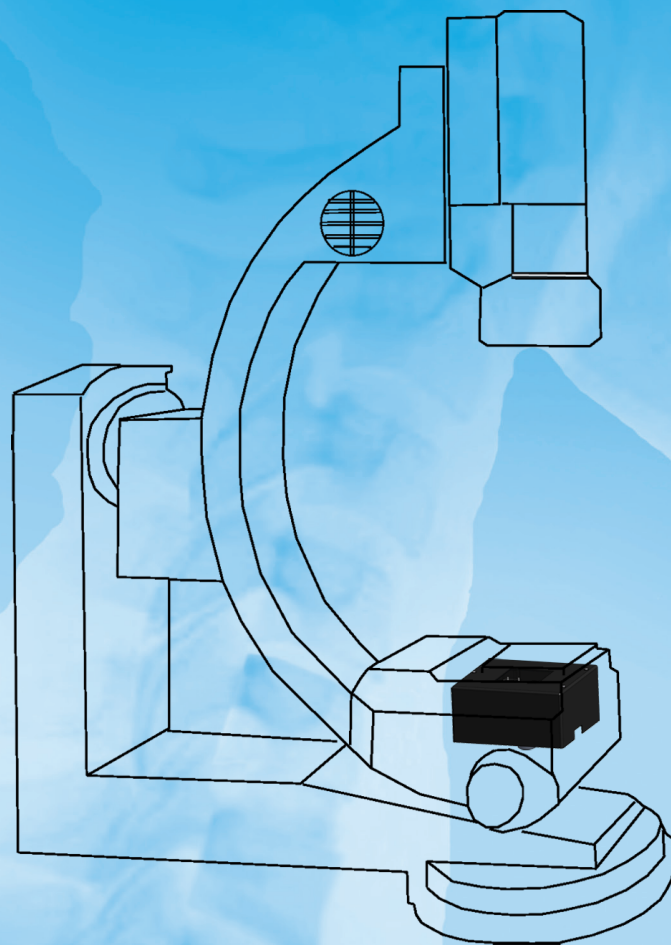
- Maximum Radiation Leakage: 125 kVp - 4 mA
- Single Layer Square Field: 0x0 cm to 35x35 cm at 100 cm SID
- Minimum Inherent Filtration: 0 mm Al equivalent
- Step Motors with Electronics
- No Light Source
- Dimensions: 203x195x100 mm
- Weight: 4 Kg
- 2 Pairs of Shutters
- CanBus Protocol (CanOpen on request)
- Color Customizations and Many Other Personalization Options Available

# R 650 QDASM

## TECHNICAL FEATURES

Application	Mobile or Fixed C-arm and Cardiovascular X-Ray Equipment		
Mode of Operation	Automatic		
Power Supply	24 V AC/DC - 2 A		
cCSAUs and DHHS Certification	◆		
Mounting Plane	Standard: 80 mm		
	Customized		◆
Leakage Radiation	125 kVp - 4 mA		✓
	150 kVp - 4 mA		✗
Field Type	Square Field	With Potentiometers	✗
		Without Potentiometers	✓
	Round Field		◆
Minimum Inherent Filtration	2 mm Al equivalent		✗
	1 mm Al equivalent		✗
	0 mm Al equivalent		✓
Additional Variable Filtration	Manual		✗
	Automatic		◆
Light Source	LED		✗
	Halogen Lamp		✗
	No Light		✓
Shutters	Pair of Rotating Lead Shutters		✓
	Copper with Cardiac Contouring		◆
	Second Pair of Lead Shutters		◆
	Pair of Rotating Copper Shutters		◆
Metal Flanges	Fixed		✓
	Motorized Rotation		◆
Collimator Mounting Method	Manual Alignment with Metal Flange		✓
	Automatic Centering with Metal Flange		✗
	Automatic Centering with Resin Flange		✗
	Customized Attachment		✗
User Interface	CAN-Bus		✓
	CAN-Open		◆
	RS-232		◆
	Analog/Digital I/O Interface		◆

✓ Standard    ◆ Optional    ✗ Not Available



### HEAD OFFICE

Via Dei Tigli 13G  
20853 BIASSONO (MB)  
ITALY  
Tel. 0039 039 24 979 25  
FAX 0039 039 24 977 99  
Email: [ralco@ralco.it](mailto:ralco@ralco.it)  
[www.ralco.it](http://www.ralco.it)  
Skype: [ralco\\_s.r.l.](https://www.skype.com/name/ralco_s.r.l)

### AMERICAN OFFICE

4970 Robert J. Mathews Pkwy #180  
El Dorado Hills, CA 95762  
USA  
Tel. 001 916 990 5172  
Email: [info@ralcousa.com](mailto:info@ralcousa.com)  
[www.ralcousa.com](http://www.ralcousa.com)  
Skype: [ralcousa](https://www.skype.com/name/ralcousa)

**CUSTOM MODELS ON REQUEST**

DR R 650 QDASM Rev. B - MRD/001/22